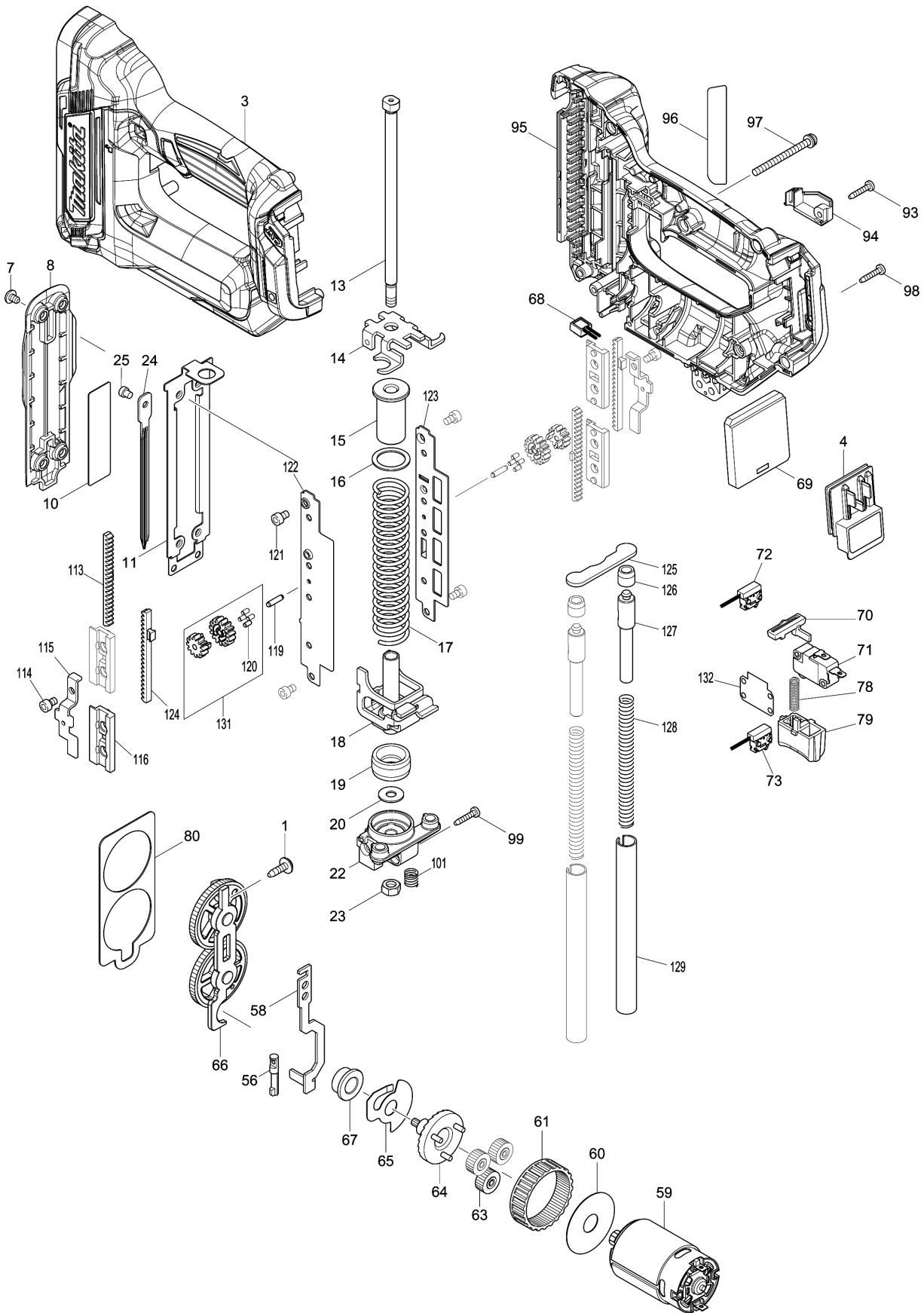
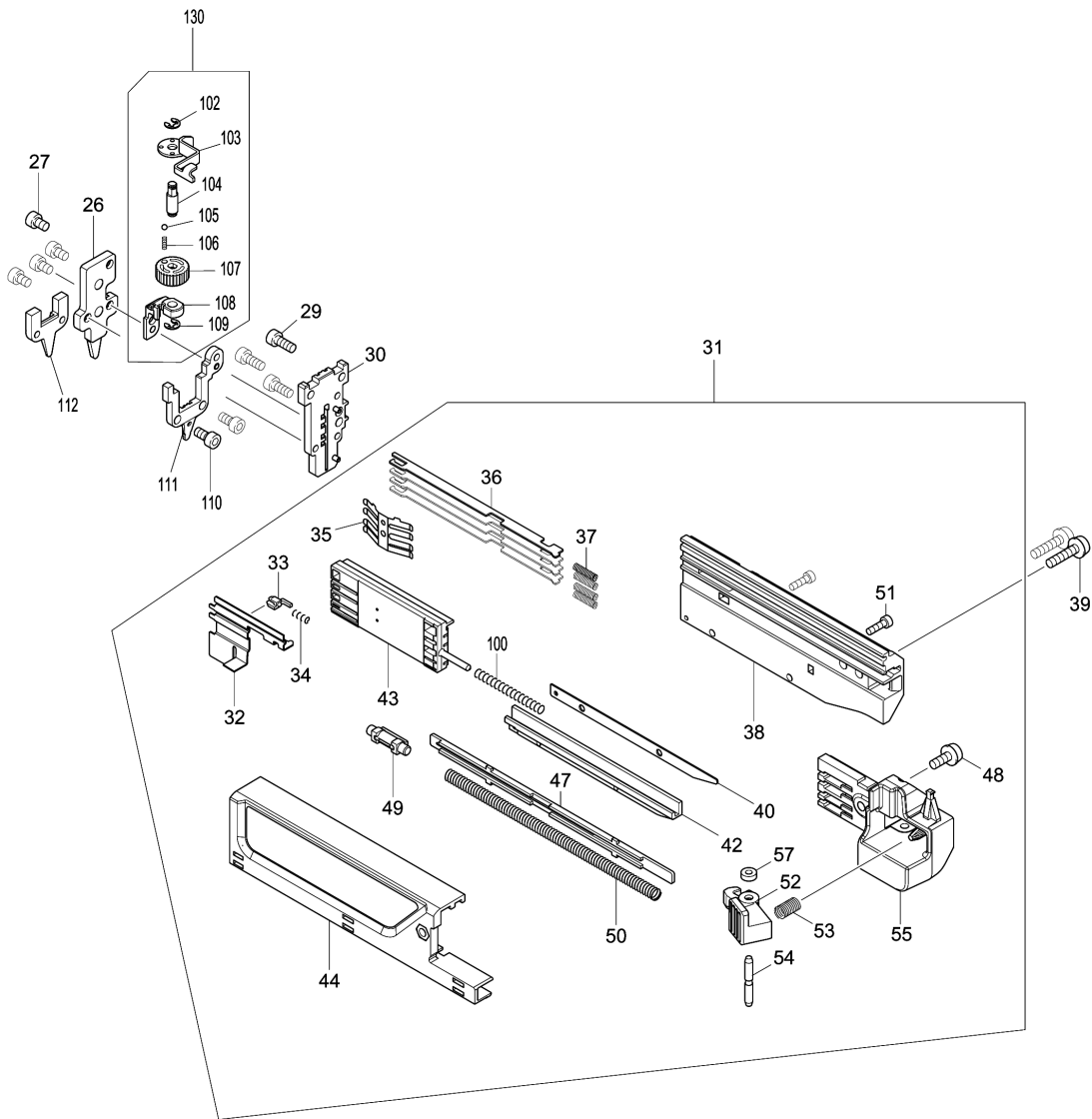


# Model No.PT354D CORDLESS PIN NAILER





Model No.PT354D CORDLESS PIN NAILER





Model No.PT354D CORDLESS PIN NAILER

| Položaj | Številka dela | Opis                                 | Sprememba | Količina | New/Old | Opcijsko 1 | Opcijsko 2 | Opomba |
|---------|---------------|--------------------------------------|-----------|----------|---------|------------|------------|--------|
| 001     | 266901-4      | TAPPING SCREW 4X14                   |           | 1        |         |            |            |        |
| 003     | 183G24-4      | HOUSING SET                          |           | 1        |         |            |            |        |
| C10     | 263002-9      | Gumi zatič 4                         |           | 2        |         |            |            |        |
| C20     | 252126-6      | Šesterokotna matica M4-7<br>MT070    |           | 2        |         |            |            |        |
| C30     | 931102-0      | Šesterokotna matica M4               |           | 1        |         |            |            |        |
| D10     |               | INC. 95                              |           |          |         |            |            |        |
| 004     | 644813-5      | TERMINAL                             |           | 1        |         |            |            |        |
| 007     | 915101-0      | BINDING HEAD SCREW<br>M4X6           |           | 4        |         |            |            |        |
| 008     | 457384-1      | FRONT COVER                          |           | 1        | *       |            |            |        |
| 008-1   | 459308-3      | FRONT COVER                          | S         | 1        |         |            |            |        |
| 010     | 345704-0      | UPPER PLATE                          |           | 1        | *       |            |            |        |
| 010-1   | 347528-0      | UPPER PLATE                          | S         | 1        |         |            |            |        |
| 011     | 347140-6      | RAIL                                 |           | 1        |         |            |            |        |
| 013     | 326903-3      | GUIDE BOLT                           |           | 1        |         |            |            |        |
| 014     | 347143-0      | BOTTOM PLATE                         |           | 1        | *       |            |            |        |
| 014-1   | 347671-5      | BOTTOM PLATE                         | S         | 1        |         |            |            |        |
| 015     | 457389-1      | SPRING HOLDER                        |           | 1        |         |            |            |        |
| 016     | 347148-0      | SPRING BASE                          |           | 1        |         |            |            |        |
| 017     | 232364-6      | COMPRESSION SPRING 17                |           | 1        |         |            |            |        |
| 018     | 347141-4      | HAMMER                               |           | 1        |         |            |            |        |
| 019     | 424952-5      | CUSHION                              |           | 1        |         |            |            |        |
| 020     | 253804-1      | Ploska kovinska podložka 6<br>LS1040 |           | 1        |         |            |            |        |
| 022     | 319537-9      | HOLDER                               |           | 1        | *       |            |            |        |
| 022-1   | 319981-0      | HOLDER                               | O         | 1        |         |            |            |        |
| 023     | 931302-2      | Šesterokotna matica M6               |           | 1        | *       |            |            |        |
| 023-1   | 252273-3      | HEX. NUT M6                          | <         | 1        |         |            |            |        |
| 024     | 345702-4      | DRIVER                               |           | 1        |         |            |            |        |
| 025     | 268157-5      | Zatič 4                              |           | 1        | *       |            |            |        |
| 025-1   | 256882-0      | FLAT FILLISTER HD. PIN 4             | <         | 1        |         |            |            |        |
| 026     | 144291-4      | DRIVER GUIDE COVER<br>COMPLETE       |           | 1        | *       |            |            |        |
| 026-1   | 140H39-0      | DRIVER GUIDE COVER<br>COMPLETE       | S         | 1        | *       |            |            |        |
| 026-2   | 144291-4      | DRIVER GUIDE COVER<br>COMPLETE       | S         | 1        |         |            |            |        |
| 027     | 922102-1      | Inbus vijak M4X6 BPT350              |           | 4        |         |            |            |        |
| 029     | 922112-8      | Inbus vijak M4X10 BHX2501            |           | 3        |         |            |            |        |
| 030     | 144330-0      | DRIVER GUIDE COMPLETE                |           | 1        |         |            |            |        |
| 031     | 135897-9      | MAGAZINE ASSY                        |           | 1        |         |            |            |        |
| D10     |               | INC. 32-38,40,42-44,47-<br>55,57,    |           |          |         |            |            |        |
| D20     |               | INC. 100                             |           |          |         |            |            |        |
| 032     | 347138-3      | PUSHER                               |           | 1        |         |            |            |        |

Model No.PT354D CORDLESS PIN NAILER

| Položaj | Številka dela | Opis                                  | Sprememba | Količina | New/Old | Opcijsko 1 | Opcijsko 2 | Opomba |
|---------|---------------|---------------------------------------|-----------|----------|---------|------------|------------|--------|
| 033     | 310176-8      | STOPPER                               |           | 1        | *       |            |            |        |
| 033-1   | 310176-8      | STOPPER                               | S         | 1        |         |            |            |        |
| 034     | 233018-8      | Tlačna spiralna vzmet 3               |           | 1        |         |            |            |        |
| 035     | 232362-0      | LEAF SPRING                           |           | 1        |         |            |            |        |
| 036     | 346239-4      | Nail stopper BPT350                   |           | 4        |         |            |            |        |
| 037     | 232367-0      | COMPRESSION SPRING 3                  |           | 4        |         |            |            |        |
| 038     | 457379-4      | MAGAZINE                              |           | 1        | *       |            |            |        |
| 038-1   | 458195-7      | MAGAZINE                              | <         | 1        |         |            |            |        |
| 039     | 911133-5      | Vijak z nizko cilindrično glavo M4X18 |           | 2        |         |            |            |        |
| 040     | 347137-5      | SPACER                                |           | 1        |         |            |            |        |
| 042     | 144335-0      | LOWER RAIL COMPLETE                   |           | 1        |         |            |            |        |
| 043     | 457382-5      | NAIL GUIDE HOLDER                     |           | 1        |         |            |            |        |
| 044     | 457380-9      | UPPER RAIL                            |           | 1        |         |            |            |        |
| C10     | 931102-0      | Šesterokotna matica M4                |           | 1        |         |            |            |        |
| 047     | 457387-5      | SPRING COVER                          |           | 1        |         |            |            |        |
| 048     | 911113-1      | Vijak z nizko cilindrično glavo M4x10 |           | 1        |         |            |            |        |
| 049     | 457383-3      | SHOULDER PIN 5-6                      |           | 1        |         |            |            |        |
| 050     | 232366-2      | COMPRESSION SPRING 5                  |           | 1        |         |            |            |        |
| 051     | 266177-3      | Inbus vijak M3x10                     |           | 2        |         |            |            |        |
| 052     | 457388-3      | LEVER                                 |           | 1        |         |            |            |        |
| 053     | 233117-6      | Tlačna spiralna vzmet 6               |           | 1        |         |            |            |        |
| 054     | 256793-9      | PIN 3                                 |           | 1        |         |            |            |        |
| 055     | 457381-7      | SLIDE DOOR CAP                        |           | 1        |         |            |            |        |
| 056     | 268158-3      | Zatič 5                               |           | 1        |         |            |            |        |
| 057     | 262054-7      | Poliuretanski obroč 3                 |           | 1        |         |            |            |        |
| 058     | 347139-1      | LOCK ARM                              |           | 1        |         |            |            |        |
| 059     | 629268-5      | DC MOTOR                              |           | 1        |         |            |            |        |
| 060     | 267053-4      | Ploska kovinska podložka 12           |           | 1        |         |            |            |        |
| 061     | 227166-3      | Notranji zobnik 69                    |           | 1        |         |            |            |        |
| 063     | 221961-3      | SPUR GEAR 27                          |           | 3        |         |            |            |        |
| 064     | 154973-0      | Spur Gear 7 Complete                  |           | 1        |         |            |            |        |
| 065     | 345773-1      | Anti back plate                       |           | 1        |         |            |            |        |
| 066     | 144290-6      | SPUR GEAR 55 COMPLETE                 |           | 1        | *       |            |            |        |
| 066-1   | 140U73-8      | SPUR GEAR 55 COMPLETE                 | O         | 1        |         |            |            |        |
| 067     | 214060-8      | Drčni ležaj 10 ST110D                 |           | 1        |         |            |            |        |
| 068     | 620507-6      | LED CIRCUIT                           |           | 1        |         |            |            |        |
| 069     | 632J91-9      | CONTROLLER UNIT                       |           | 1        | *       |            |            |        |
| C10     | 654069-2      | RECEPTACLE                            |           | 2        | *       |            |            |        |
| C20     | 688164-6      | Linijski filter za enosmerno napetost |           | 1        | *       |            |            |        |
| 069-1   | 632J91-9      | CONTROLLER UNIT                       | O         | 1        |         |            |            |        |
| C10     | 654069-2      | RECEPTACLE                            |           | 2        |         |            |            |        |

Please order the parts with part number.

Print Date 31/5/2022

Model No.PT354D CORDLESS PIN NAILER

| Položaj | Številka dela | Opis                                  | Sprememba | Količina | New/Old | Opcijsko 1 | Opcijsko 2 | Opomba |
|---------|---------------|---------------------------------------|-----------|----------|---------|------------|------------|--------|
| C20     | 688164-6      | Linijski filter za enosmerno napetost |           | 1        |         |            |            |        |
| 070     | 456799-9      | TRIGGER LOCK                          |           | 1        |         |            |            |        |
| 071     | 632J09-0      | SWITCH UNIT                           |           | 1        | *       |            |            |        |
| 071-1   | 632M82-8      | SWITCH UNIT                           | <         | 1        |         |            |            |        |
| 072     | 632G60-2      | SWITCH UNIT                           |           | 1        |         |            |            |        |
| 073     | 632K06-2      | SWITCH UNIT                           |           | 1        |         |            |            |        |
| 078     | 232370-1      | COMPRESSION SPRING 5                  |           | 1        |         |            |            |        |
| 079     | 457386-7      | TRIGGER                               |           | 1        |         |            |            |        |
| 080     | 347142-2      | GEAR PLATE                            |           | 1        |         |            |            |        |
| 093     | 266130-9      | Samovrezni vijak PT 3X16 6935FD       |           | 1        |         |            |            |        |
| 094     | 457385-9      | HOUSING R COVER                       |           | 1        |         |            |            |        |
| 095     | 183G24-4      | HOUSING SET                           |           | 1        |         |            |            |        |
| C10     | 263002-9      | Gumi zatič 4                          |           | 2        |         |            |            |        |
| C20     | 252126-6      | Šesterokotna matica M4-7 MT070        |           | 2        |         |            |            |        |
| C30     | 931102-0      | Šesterokotna matica M4                |           | 1        |         |            |            |        |
| D10     |               | INC. 3                                |           |          |         |            |            |        |
| 096     | 853C65-7      | PT354D NAME PLATE                     |           | 1        | *       |            |            |        |
| 096-1   | 853C64-9      | PT354D NAME PLATE                     | <         | 1        |         |            |            |        |
| 097     | 911173-3      | Vijak z nizko cilindrično glavo M4X45 |           | 1        |         |            |            |        |
| 098     | 266130-9      | Samovrezni vijak PT 3X16 6935FD       |           | 8        |         |            |            |        |
| 099     | 266130-9      | Samovrezni vijak PT 3X16 6935FD       |           | 1        | *       |            |            |        |
| 100     | 233459-8      | Tlačna spiralna vzmet 3               |           | 1        |         |            |            |        |
| 101     | 232365-4      | COMPRESSION SPRING 7                  |           | 1        |         |            |            |        |
| 102     | 961017-7      | Zaporno tesnilo E-3                   |           | 1        |         |            |            |        |
| 103     | 347136-7      | CONTACT ARM                           |           | 1        |         |            |            |        |
| 104     | 326905-9      | ADJUSTER SHAFT                        |           | 1        |         |            |            |        |
| 105     | 216031-1      | STEEL BALL 2.3                        |           | 1        |         |            |            |        |
| 106     | 234254-9      | COMPRESSION SPRING 2                  |           | 1        |         |            |            |        |
| 107     | 457378-6      | ADJUSTER                              |           | 1        |         |            |            |        |
| 108     | 310778-0      | ARM                                   |           | 1        |         |            |            |        |
| 109     | 961017-7      | Zaporno tesnilo E-3                   |           | 1        |         |            |            |        |
| 110     | 922107-1      | Inbus vijak M4X8 AN711H               |           | 2        |         |            |            |        |
| 111     | 144329-5      | CENTER PLATE COMPLETE                 |           | 1        |         |            |            |        |
| 112     | 310777-2      | CONTACT TOP COVER                     |           | 1        | *       |            |            |        |
| 112-1   | 310922-9      | CONTACT TOP COVER                     | S         | 1        | *       |            |            |        |
| 112-2   | 310777-2      | CONTACT TOP COVER                     | S         | 1        |         |            |            |        |
| 113     | 310780-3      | COUNTER WEIGHT A                      |           | 2        | *       |            |            |        |
| 113-1   | 310924-5      | COUNTER WEIGHT A                      | <         | 2        | *       |            |            |        |
| 113-2   | 313421-0      | COUNTER WEIGHT A                      | <         | 2        |         |            |            |        |
| 114     | 251566-5      | H.S.H BOLT M4X6 WITH W                |           | 2        |         |            |            |        |

Please order the parts with part number.

Print Date 31/5/2022

Model No.PT354D CORDLESS PIN NAILER

| Položaj | Številka dela | Opis                    | Sprememba | Količina | New/Old | Opcijsko 1 | Opcijsko 2 | Opomba |
|---------|---------------|-------------------------|-----------|----------|---------|------------|------------|--------|
| 115     | 347146-4      | PINION GUIDE            |           | 2        |         |            |            |        |
| 116     | 457390-6      | COUNTER WEIGHT HOLDER   |           | 4        |         |            |            |        |
| 119     | 326902-5      | PINION SHAFT            |           | 2        |         |            |            |        |
| 120     | 424953-3      | DUMPER RUBBER           |           | 8        | *       |            |            |        |
| 121     | 922102-1      | Inbus vijak M4X6 BPT350 |           | 4        |         |            |            |        |
| 122     | 347145-6      | GUIDE RAIL R            |           | 1        |         |            |            |        |
| 123     | 347144-8      | GUIDE RAIL L            |           | 1        |         |            |            |        |
| 124     | 310781-1      | COUNTER WEIGHT B        |           | 2        |         |            |            |        |
| 125     | 347147-2      | COUNTER STOPPER         |           | 1        | *       |            |            |        |
| 125-1   | 347672-3      | COUNTER STOPPER         | S         | 1        |         |            |            |        |
| 126     | 424954-1      | COUNTER CUSHION         |           | 2        |         |            |            |        |
| 127     | 326904-1      | WEIGHT                  |           | 2        |         |            |            |        |
| 128     | 232363-8      | COMPRESSION SPRING 7    |           | 2        |         |            |            |        |
| 129     | 326901-7      | GUIDE PIPE              |           | 2        | *       |            |            |        |
| 129-1   | 327550-3      | GUIDE PIPE              | S         | 2        |         |            |            |        |
| 130     | 135857-1      | CONTACT ARM ASSY        |           | 1        |         |            |            |        |
| D10     |               | INC. 102-109            |           |          |         |            |            |        |
| 131     | 135855-5      | SPUR GEAR ASSEMBLY      |           | 2        | *       |            |            |        |
| D10     |               | INC. 120                |           |          | *       |            |            |        |
| 131-1   | 136153-0      | SPUR GEAR ASSY          | O         | 2        | *       |            |            |        |
| 131-2   | 136104-3      | SPUR GEAR ASSEMBLY      | O         | 2        |         |            |            |        |
| 132     | 457809-5      | SWITCH GUARD            |           | 1        |         |            |            |        |
| A01     | 195246-2      | Zaščitna očala GN900    |           | 1        | *       |            |            |        |
| A02     | 251314-2      | Vijak M4x12             |           | 1        |         |            |            |        |
| A03     | 346909-5      | HOOK                    |           | 1        |         |            |            |        |
| A04     | 424955-9      | NOSE ADAPTER            |           | 2        | *       |            |            |        |
| A04-1   | 422372-7      | NOSE ADAPTER            | O         | 2        |         |            |            |        |
| A05     | 783201-2      | Inbus ključ 3 AF500HP   |           | 1        |         |            |            |        |
| B01     | 127762-6      | CENTER PLATE ASSEMBLY   |           | 1        |         |            |            |        |
| D10     |               | INC. 110-112            |           |          |         |            |            |        |

Please order the parts with part number.

Print Date 31/5/2022